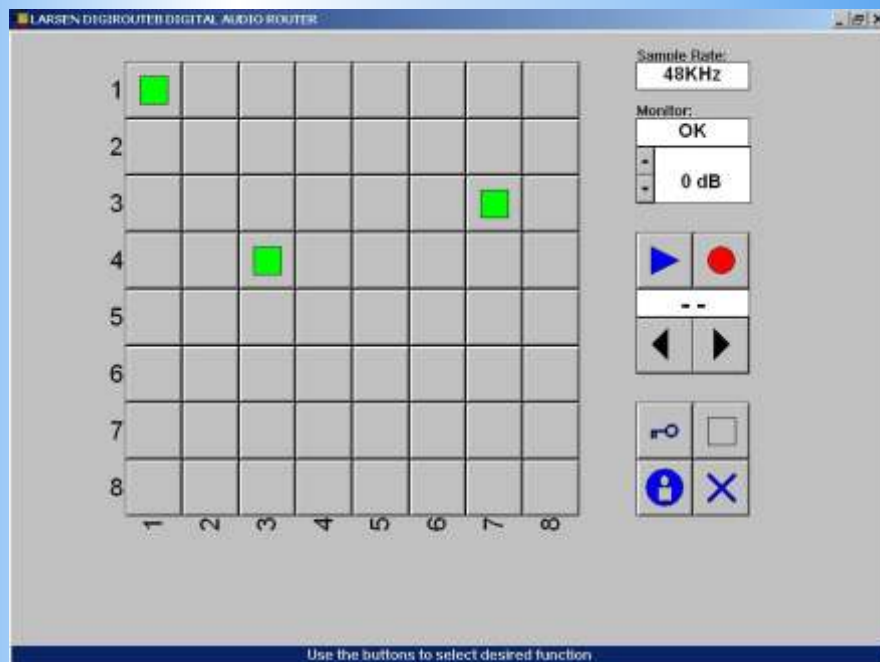


DIGIROUTE8

Digital Audio AES3 96kHz
Router/Distributor/Sample Rate
Converter



DESCRIPTION

The DigiRoute8 digital audio AES3 router/sampling rate converter/distributor is the true do-it-all tool of the modern digital studio. It switches 8 input into 8 output AES channels, it syncs to a house clock or generates it internally, it converts from/to any rate between 32 to 96kHz, and it allows manipulation of the status bits. A 9th output serves monitoring purposes or will be that extra converter you never thought you might need...

APPLICATIONS

- In Broadcast studios
- In Recording studios

FEATURES

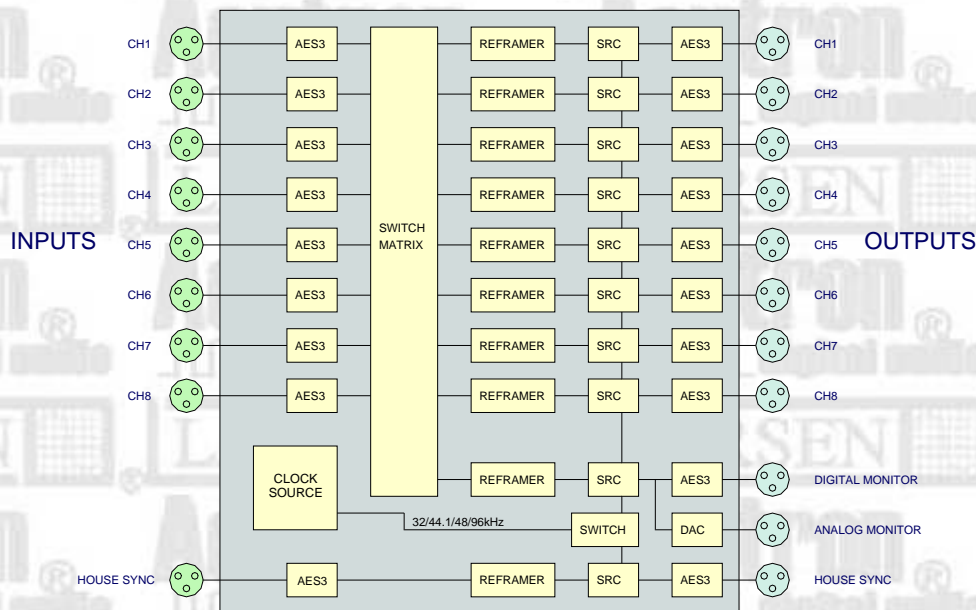
- 2U rack-mounted with the controls on the front panel
- XLR I/O as defined by the AES3 standard, but accepting SPD/IF as the input
- Fully RF filtered, Fully EN55103 compliant according to 89/336/EMC
- Microprocessor-driven with robust EIA-422/V.11 ES-BUS communications
- May co-exist on the same bus with SW16 family devices or ES-BUS machines (DAT,VTR)
- 3:1 range sample rate converter on all outputs, may as an example accept 44kHz and exit at 32, 48 or 96kHz
- Vari-speed support
- House sync AES3 input/output
- Error correction for click-less switching
- Configuration and 50 user presets kept in EEPROM non-volatile memory, callable from the front-panel keyboard/display

- Windows™ NT4/98/2000/XP software included
- 24-bit 96kHz monitor DAC with software volume control and balanced output
- AES3 simultaneous monitor output

SPECIFICATIONS

Inputs, Outputs	XLR, AES3
Input/Output Impedance	110Ω balanced
Capacity	8x8+1 (monitor)
Sample rate	32-96kHz
Internal clocks	32,44.1,48,88.2,96kHz
Technology	24-bit, automatic dithering
Dynamic range	>120dB
Delay	<2mS
Frequency response	0.45Fs
Crosstalk:	>90dB
Switching time:	<200mS
Gain error:	<0.15dB
THD+N	<-117dB at 1kHz
Jitter	<3nS(INT) <70nS(HC)
Internal clock deviation	<100ppm
Analog Monitor	0dBu/100Ω balanced
THD on monitor	<-84dB
Physical	19" 2U 170mm depth
Weight	4 Kg
Power supply	115/230V @ 50VA
Operating temp.	0-40°C

DigiRoute V1.21 2003-11-10
Copyright © by Acutron 2001-2003 all rights reserved.
Acutron® is a trademark of Acutron Electroacustica.
Windows is a trademark of Microsoft Corp.



DigiRoute8 BLOCK DIAGRAM

ABC-Abrunheira Business Center
Edifícios 10-11 R. das Maçarocas
Abrunheira 2710-056 Sintra
Tel +351 219152040
Fax +351219154079
web: www.acutron.net
mail: info@acutron.net



DISTRIBUTOR

