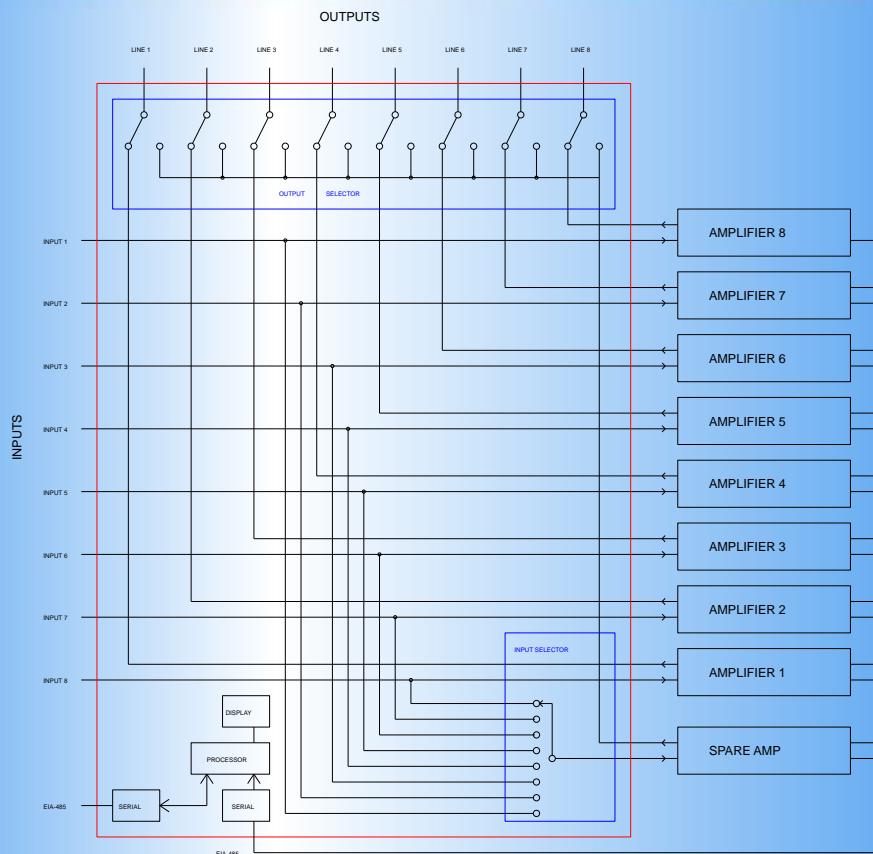


GATEKEEPER SLICE™ Amplifier Controller



DESCRIPTION

The GATEKEEPER Controller for LARSEN SLICE Amplifiers is used to monitor up to 8 SLICE amplifiers and to transmit their status to a remote master controller if one is used, over IP.
It allows automated amplifier replacement (1 spare amplifier for 8 amplifiers, hot-replacement method).

APPLICATIONS

- In distributed TCP/IP sound installations coupled with XCHANGER.NET Windows™ client-server software.
- In large PA systems where the amplifier state must be monitored and/or replaced.

FEATURES

- TCP/IP communication with the master controller allows for units to be monitored anywhere.
- Fully RF filtered
- Microprocessor-driven with robust EIA-485 communications with the monitored devices
- Active State monitored by means of LED
- Configuration, ID and fault history kept in EEPROM non-volatile memory
- Automatic amplifier replacement
- Fully EEC 55103 compliant according to 89/336/EMC

SPECIFICATIONS

Frequency Response	20Hz - 20KHz +1 -2dB (-2,5dB at 20Hz)
Harmonic Distortion	20Hz - 20KHz <0,1%
Noise	< -80 dBu
CMRR	> 50 dB, 1KHz
Channel crosstalk	> 70 dB, 1KHz
Maximum switched power	300VA
Communications	
<input type="checkbox"/> Controller side	TCP/IP
<input type="checkbox"/> Amplifier side	EIA-485
I/O	90-pin ELCO-type
Physical	19" rack, 1U 185mm depth
Weight	5Kg
Power supply	230VA@50VA
Operating temperature	0-40°C

GateKeeper V1.32/2003-11-06
Specifications may change without prior notice
Copyright© by Acutron 2003 all rights reserved.
Acutron® is a trademark of Acutron
Windows is a trademark of Microsoft Corp.

ABC-Abrunheira Business Center
Edifícios 10-11 R. das Maçarocas
Abrunheira 2710-056 Sintra
Tel +351 219152040
Fax +351219154079
web: www.acutron.net
mail: info@acutron.net



DISTRIBUTOR